

## Smart Plug – Safety and Intelligence for Every Charge

BrightZero® Smart Plug is a standalone smart socket that automatically cuts off power once the connected device is fully charged. This prevents overcharging and protects both the battery and the device, making charging safe, reliable, and worry-free.

### Benefits of BrightZero®



#### Improves safety

Lowers heat buildup and charging-related fire risk.



#### Extends battery lifespan

Avoids constant 100% charging and trickle current.



#### Saves energy

Cuts standby and phantom power draw.



#### Sustainable solution

Less e-waste, lower energy consumption.



#### Plug & Play

No Wi-Fi, no apps, no setup.



**"BrightZero® – Power off when it matters."**

## Use Cases

 Power tools and home electronics

 E-bikes and electric scooters

 Smartphones and laptops

 Charging points in offices and schools

## Why BrightZero® Smart Plug Belongs in Your Product Portfolio

BrightZero® Smart Plug brings safety, battery protection, and energy savings to everyday charging — making it an easy and attractive addition to any retailer's assortment.

### For Distributors and Retailers

Ideal as an impulse purchase for checkout areas and online stores

Adds clear customer value: safety, durability, and energy efficiency in one product

Supports brand sustainability communication and ESG targets

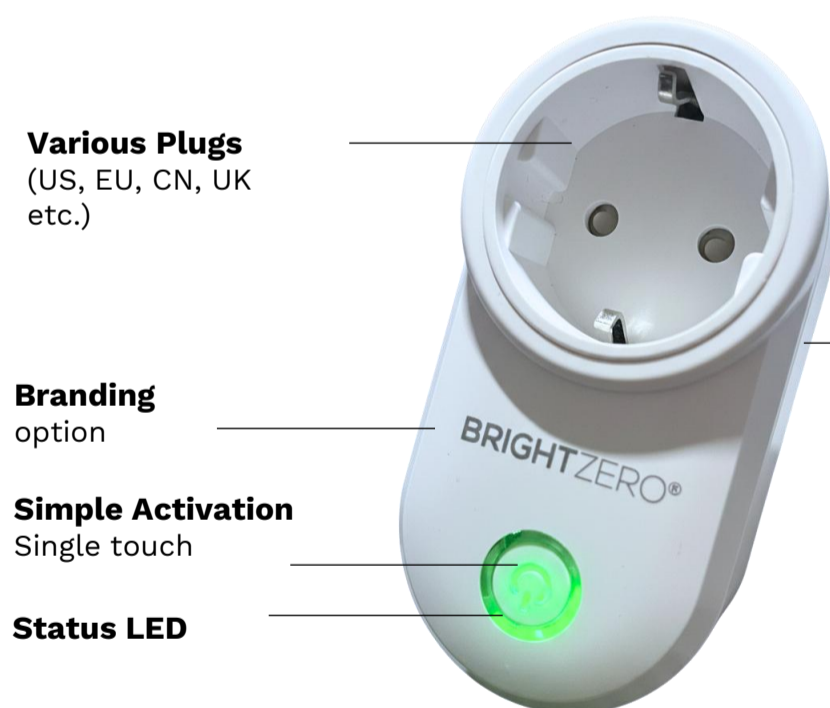
Easy to market across multiple segments: electronics, e-mobility, construction, and home safety products



## Technical Information & Technology

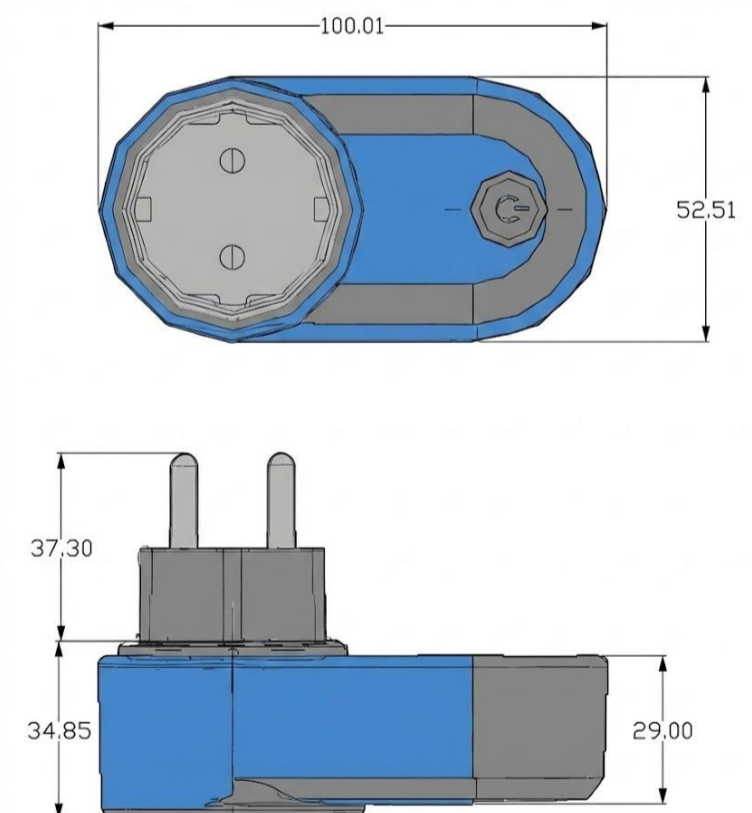
Input voltage	100–240 V AC, 50/60 Hz
Max load	16 A
Overvoltage protection	150–200 V ja >250 V
Operating temperature	–10 °C ... +40 °C
Activation	Push-button activation, LED status indicator
Plug types	EU
Operation	Fully standalone – no Wi-Fi, no apps needed
Certifications	CE
Product dimensions	100 × 52,51 × 34,85mm
Housing material	PC+ABS

## Product Features



### Dual Safety & Battery Health Functionality:

- **Patented BrightZero® Charging Control:** Automatically cuts power post-charge to extend battery life.
- **Overvoltage Protection:** Built-in safeguard tailored to local power standards.



## Patented Technology

BrightZero® Smart Plug is powered by BrightCharger Oy's patented technology (EP3820017A1, US2021135464A1, CN112787388B) and integrated Charging Control software, which ensures that charging stops automatically once the battery reaches its optimal charge level.

Become a distributor or request a demo of the BrightZero® Smart Plug solution.